



EKOMAK AUTOMATION SYSTEMS
MACHINERY MANUFACTURING INDUSTRY LIMITED COMPANY



ECOMAK MACHINERY

Start





ECOMAK MACHINERY ,

was established in 2018 in a 200 square meter workshop in Bursa Küçük Sanayi, and in 2020, we started to serve in our new 1000 square meter factory.

It is a company that combines years of experience, practice, and knowledge with the latest technology in all kinds of machinery manufacturing and maintenance services, and takes it as a mission to produce permanent and high-quality solutions to the problems of its customers.

Ekomak Machinery has adopted the basic working philosophy of quality, trust, and customer satisfaction. Our company, which commenced to work with factories in diverse sectors in Bursa since the first month of its establishment, started to develop its customer portfolio by bringing solutions to different types of machines.

We aim to fully recognize the requirements of our customers with our years of professional experience and help them draw long-term path maps by providing them with ideal machine maintenance, machine manufacturing, and spare parts manufacturing efficiently and economically within our capacity.





Fixture
Manufacturing

Welded
Manufacturing

Machine Parkour

Design

Machining



Robotic Welding
Cell

Assembly and Site
Installation Support



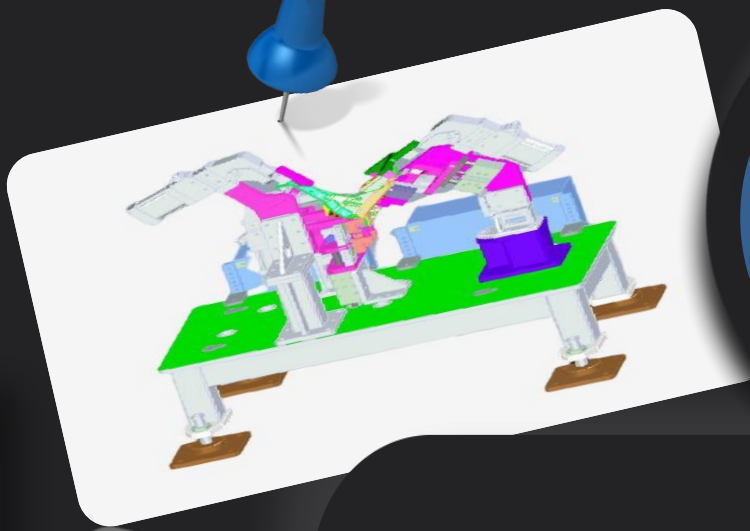
MANUEL
FIXTURES

Part-Specific Design

Ergonomic Working Opportunity

Turnkey Project

Security Precautions



OTOMATION
FIXTURES

Automation And Software

Part-Specific Design

Manufacturing and Assembly

Ergonomic Working Opportunity

Turnkey Project

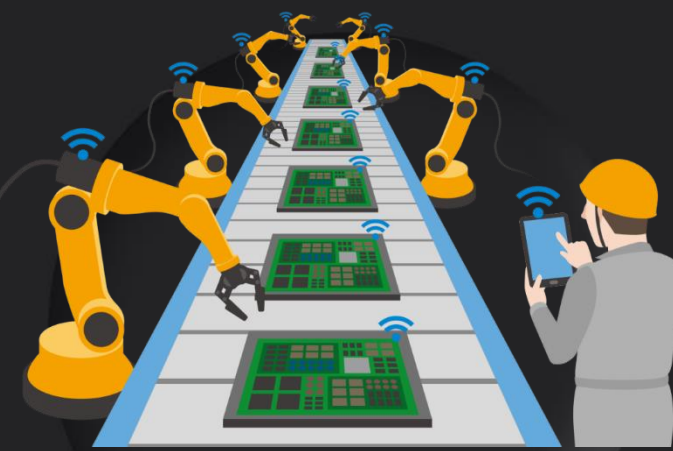
Security Precautions





*Robotic Automation Systems
Turnkey Projects:*

We offer mechatronic solutions by combining our robotic, automation and mechanical experiences from the simulation stage and realize all components of robotic projects under a single roof.



Robotic Welding Cell

ROBOTIC INTER-GAS-WELDING CELL

Design And Manufacture According To The Desired Fixture
Length And Weight

One-piece Transport Convenience

Electrical Container Separated From Dust And Smoke

Capable Of Synchronous Welding

ROBOTIC SPOT-WELDING CELL

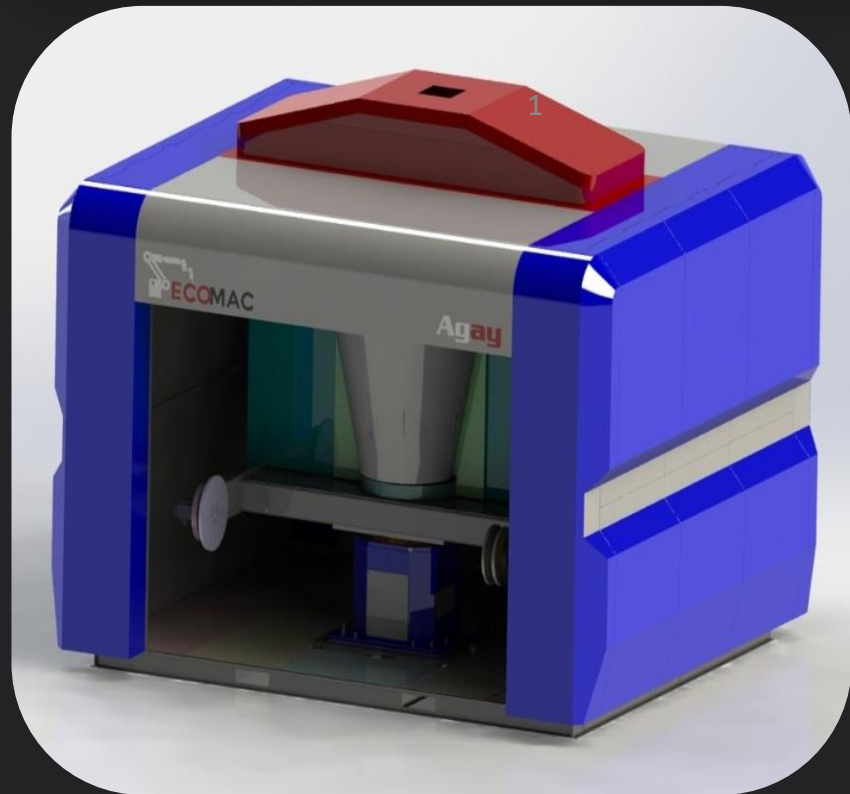
Design And Engineering

Turnkey Project

Security Precautions



Robotic Systems

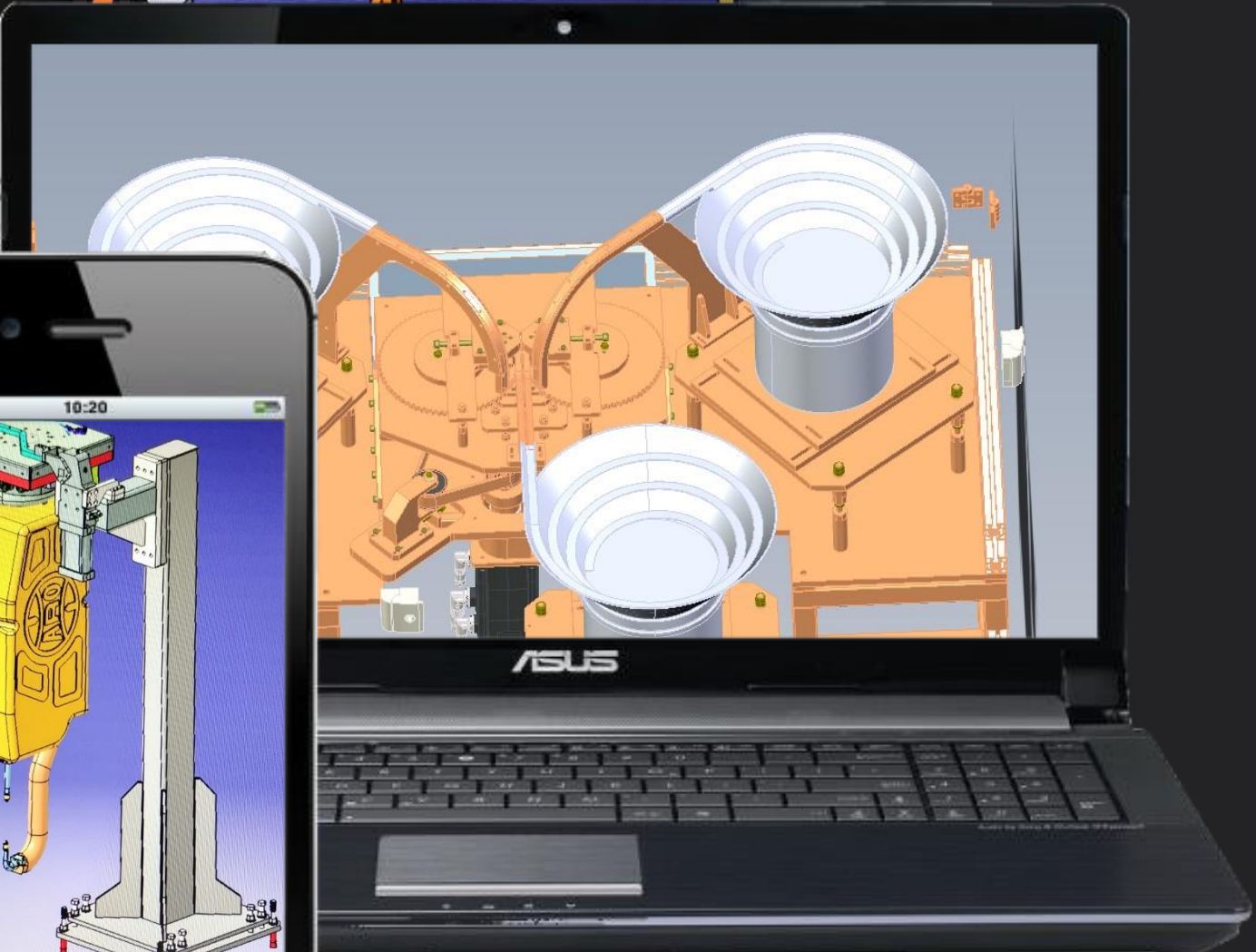
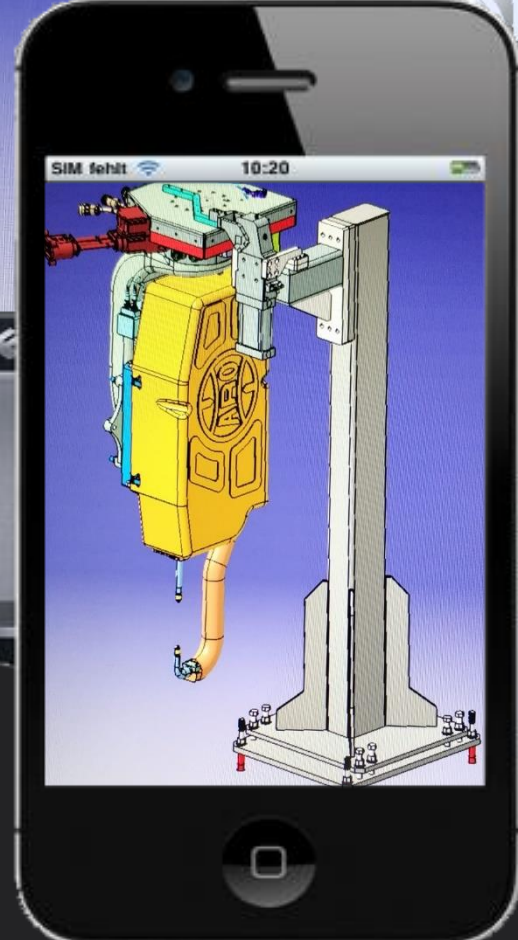
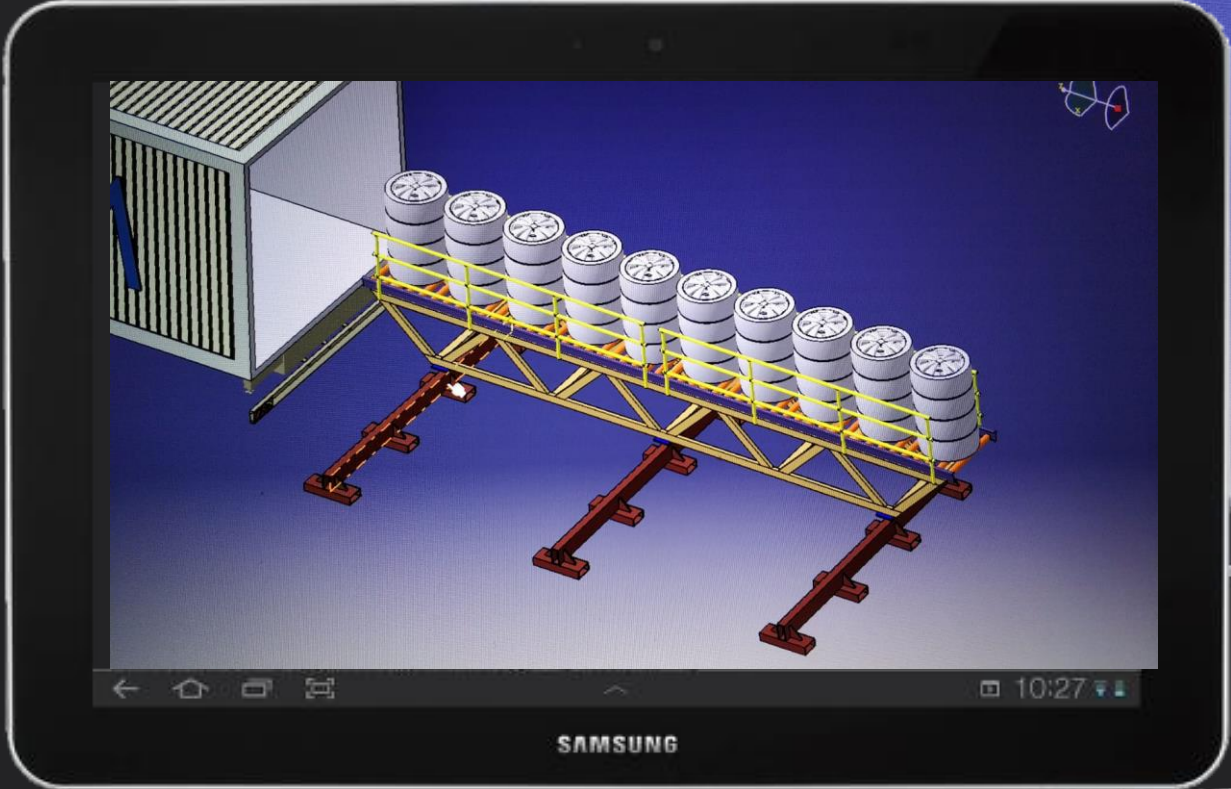
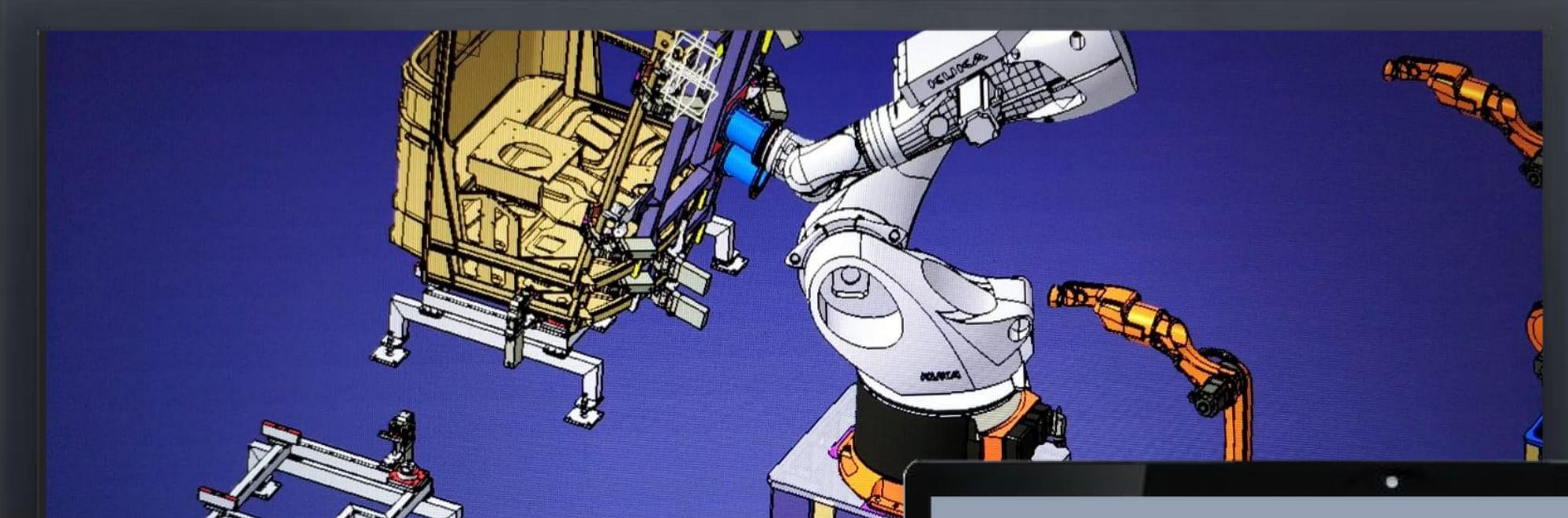


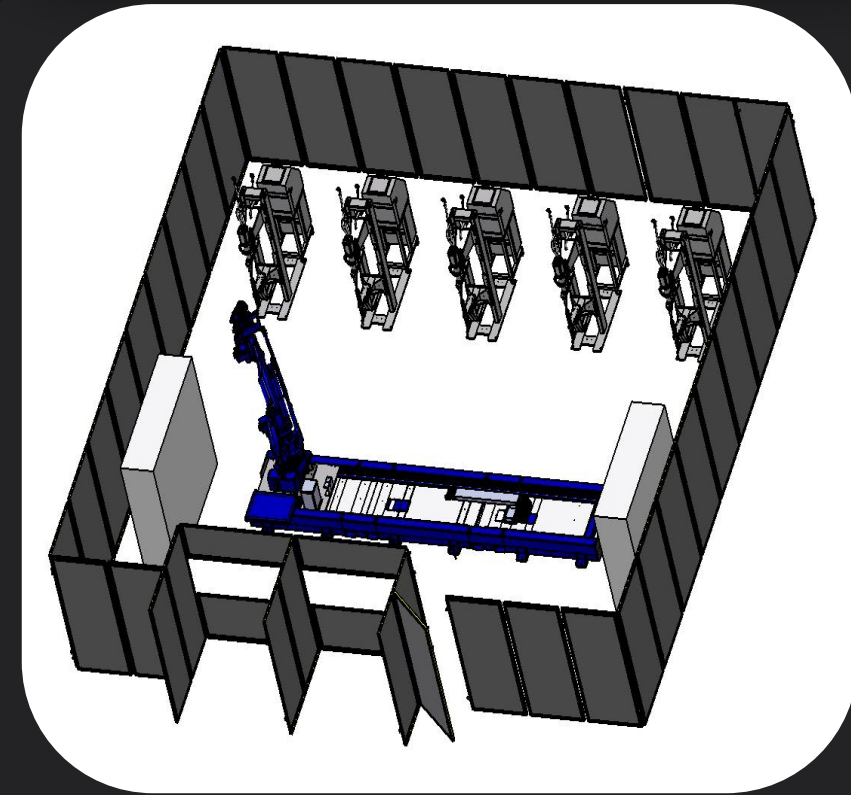
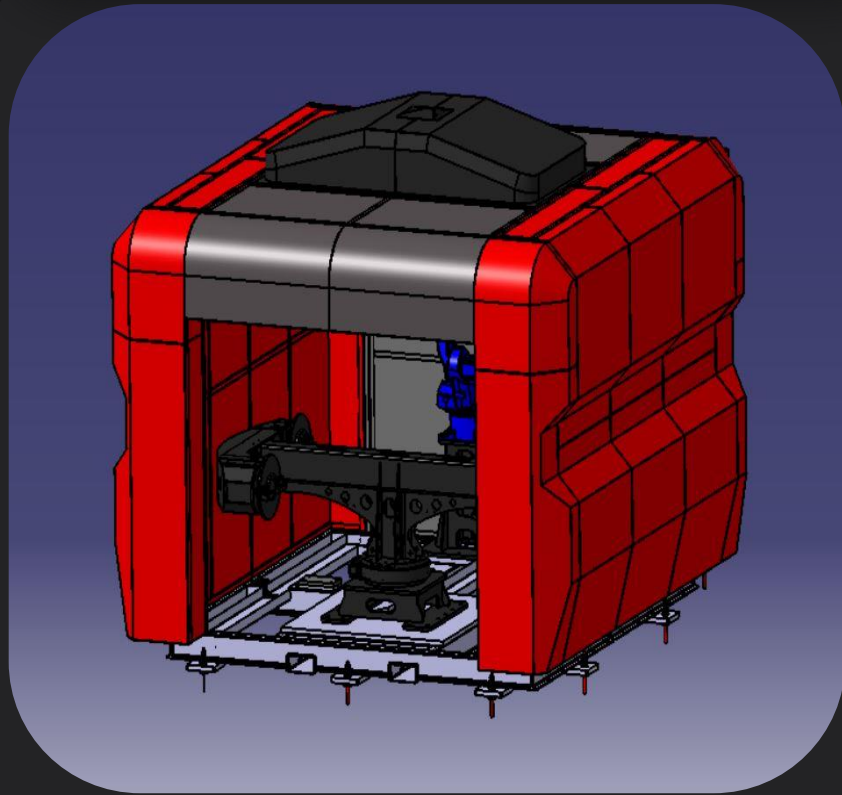
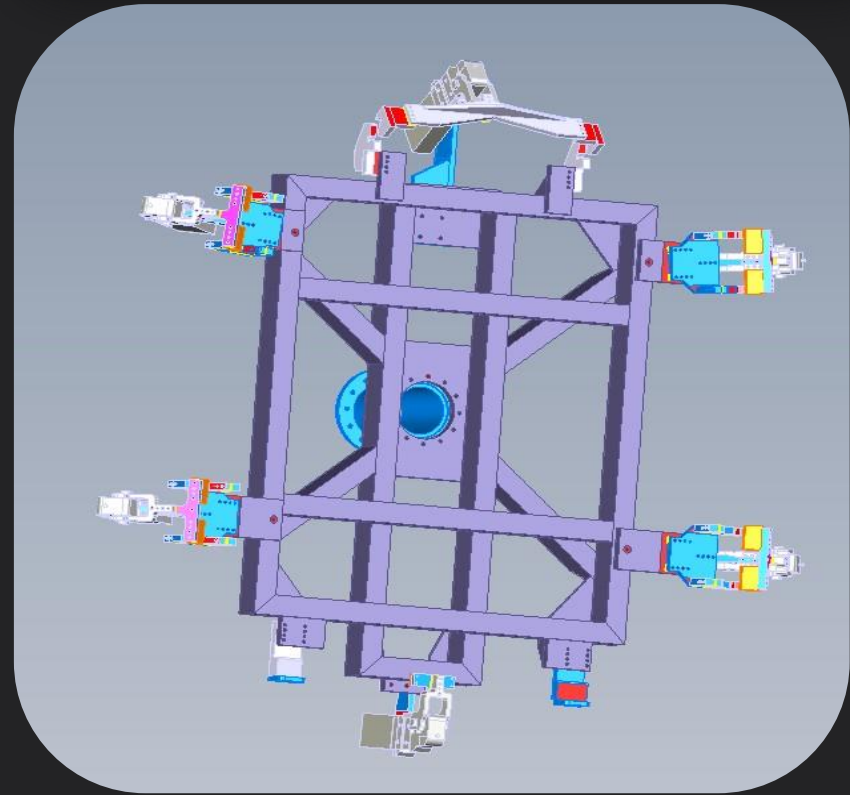
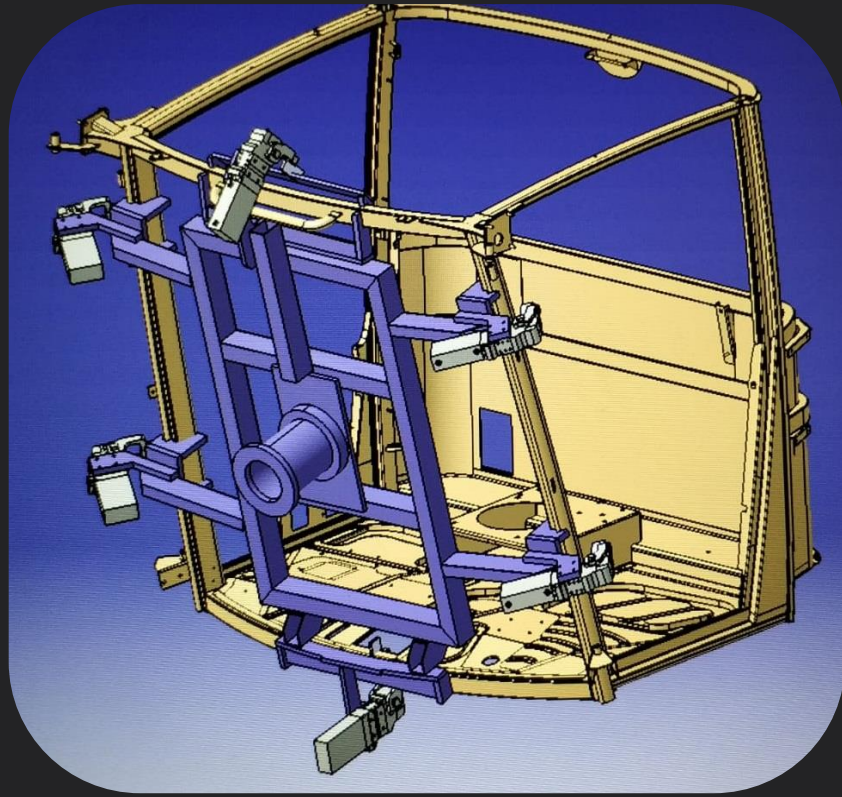
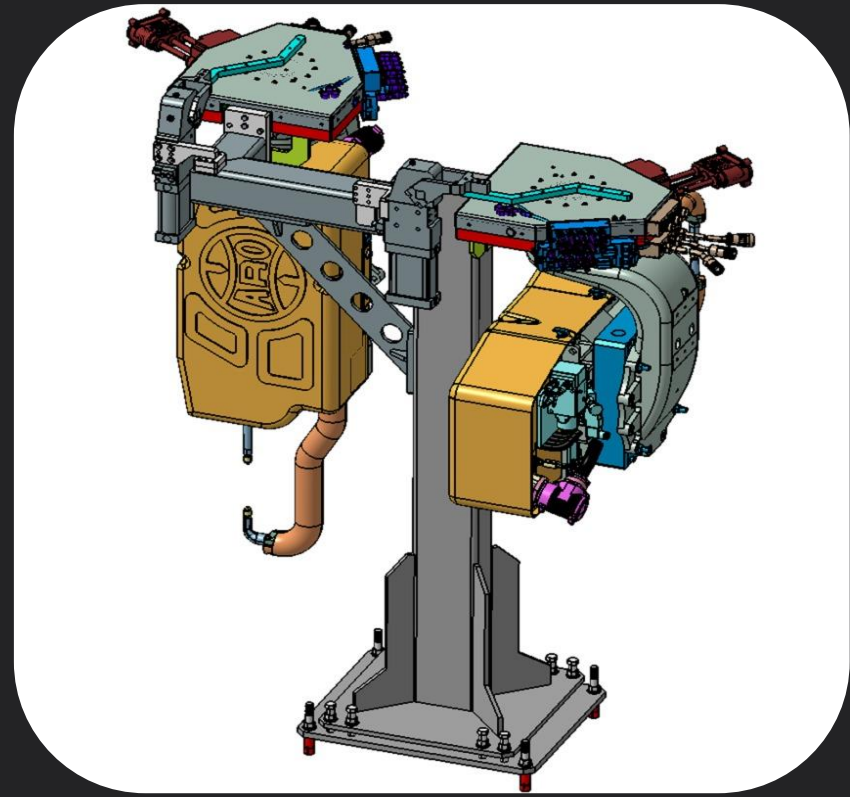
Machine Parkour





Design



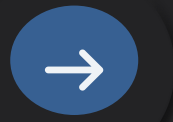




As Ecomak,

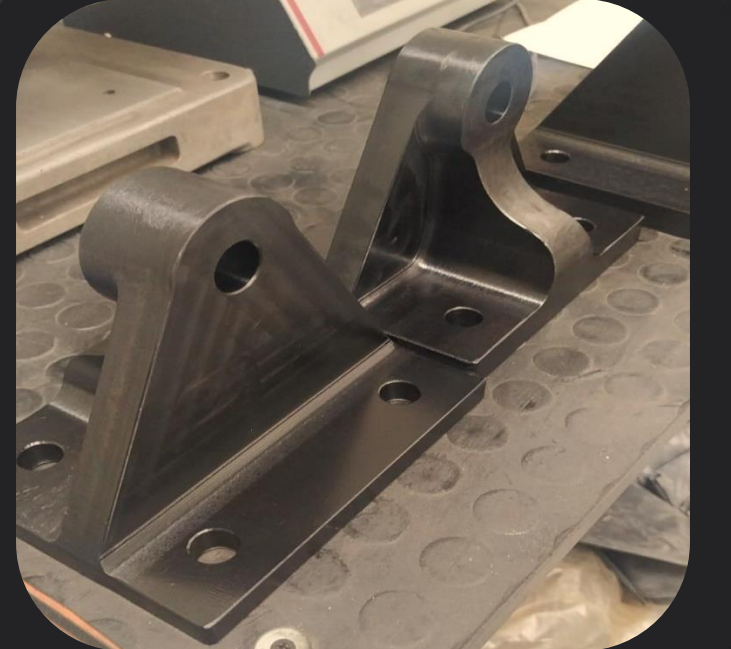
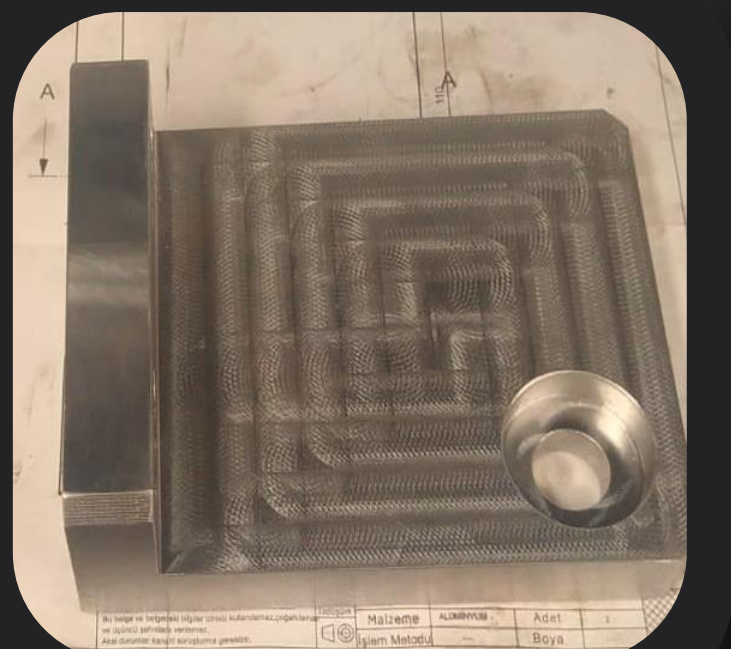
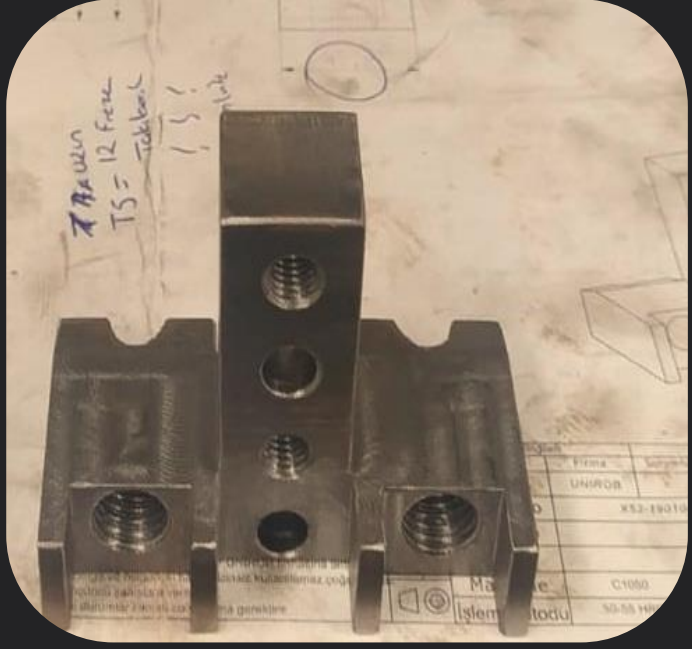
we offer welded manufacturing services to our valued customers with years of experience in welding manufacturing, expert staff, and operating structure that works with a 24/7 shift system in heavy order situations, and a service approach that does not compromise on quality.







Machining



Ekomak,
 produces parts for the Automotive Supply Industry. We produce spare parts needed by the automotive industry in accordance with quality standards. We serve with machining, CNC machining and turning, milling, drilling, deburring and universal lathes.





Havelsan. Boeing
737-800 NG Airplane
Simulator Assembly

Ecomak,

is an organization that aims to have a say in the sector of assembly services. Our ever-growing reference range and satisfied customers who give their assemblies to us are our principal support in achieving this goal.

Our assembly operations are designed most appropriately according to the desires of our customers, the assembly process is completed with meticulous work following the project and delivered after final controls of our quality control team.

Services

- 2019 Renault Turkey: Installation Of 27 Robotic Door Sealant Lines
- 2020 Renault Turkey: Production Line Transport With 12 Robots
- 2020 Yarış Kabin Turkey: 3-robot Gas Welding Cell Installation
- 2021 Yarış Kabin Turkey: Installation Of Spot Welding Cell With 2 Robots

“ OUR TEAM ”



Rasim SARIŞIN

General Manager



Production

8 Manufacturing Staff



Design

2 Design Staff



Assembly and Site Installation

25 Assembly Staff

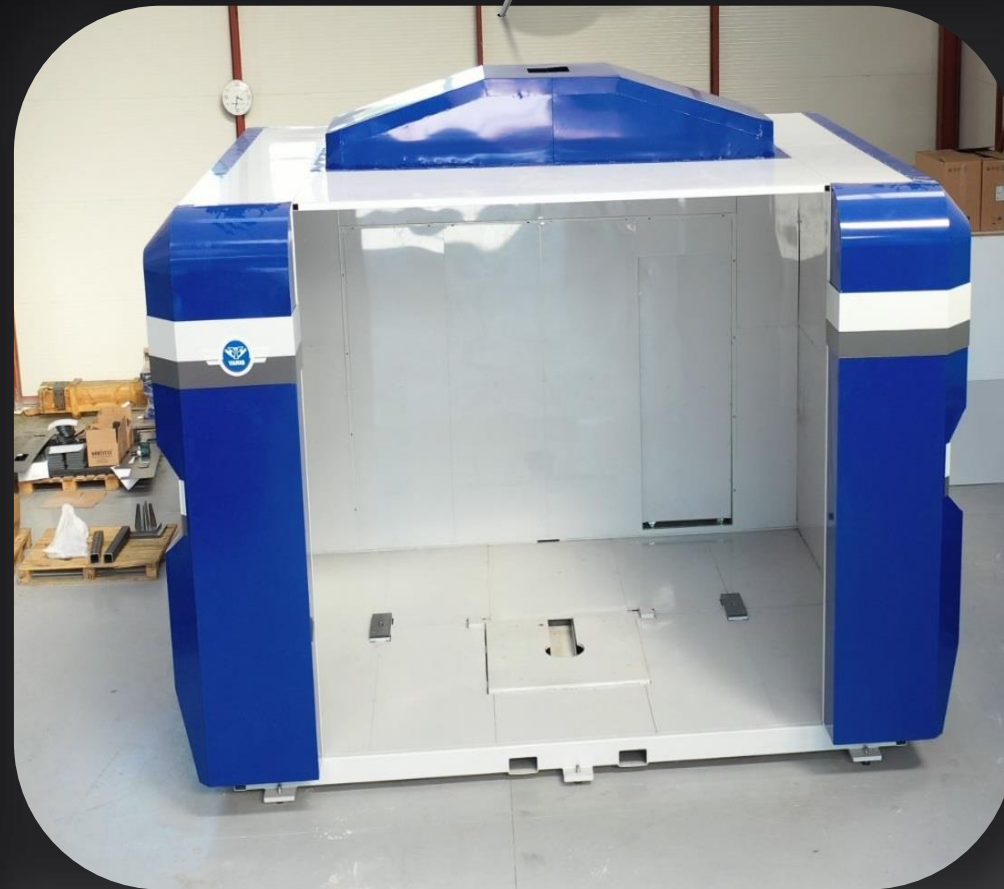


Automation and Software

8 Automation Staff



From Our Factory



Contact



Yaylacık District, 506.Unnamed Street No. 3
Nilüfer / BURSA





Website:

www.ecomakmakina.com



Phone:

0553 062 47 40



E-mail:

info@ecomakmakina.com

Thank You!

